

**SINGLE – PHASE INDUCTION MOTORS DESIGNED**

rated voltage 230 V – 50 Hz

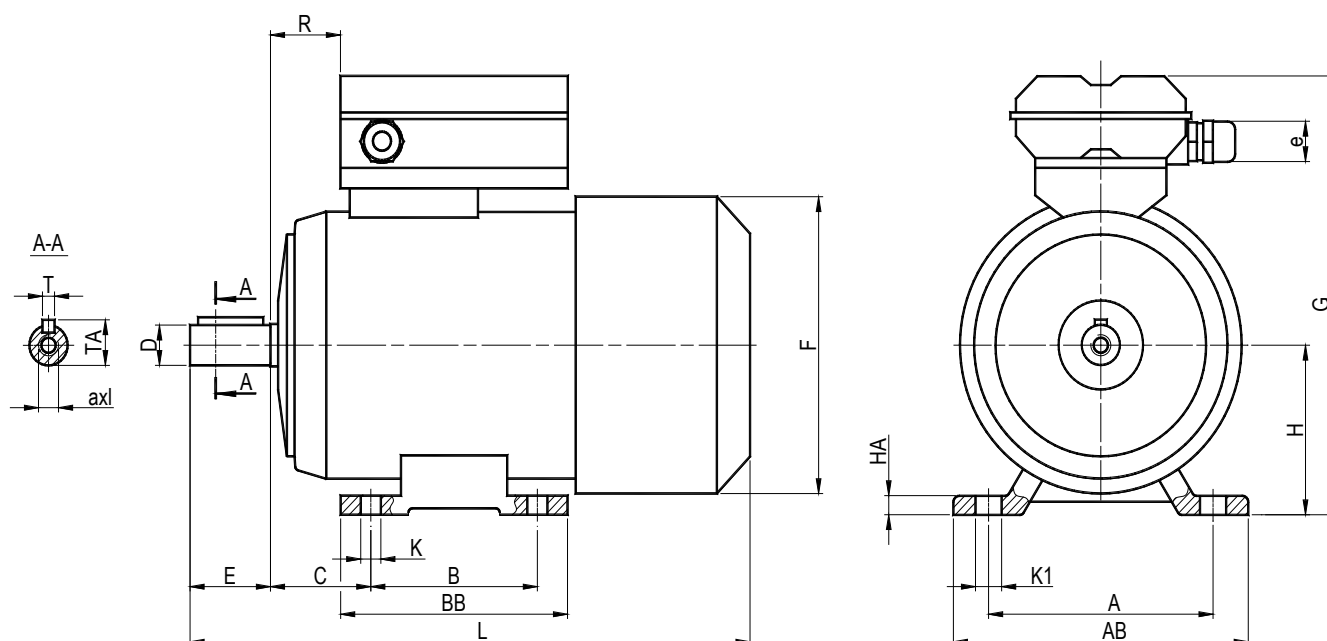
degree of protection: IP54 insulation class F; duty S1; temp. -15°C to +40°C

**PN-EN60034-1**

**IEC 60034-1**

**CE mark**

**Construction form B3**



type	dimension [mm]															shaft				
	A	B	C	F	G	H	K	K1	L	R	BB	AB	HA	e	D [j6]	axl	E	T [h9]	TA	
SMF 56 A/B	90	71	36	110	160	56	6	8	187	17	91	107	6	PG11	9 j6	M4x10	20	3	10	
SMF 63 A/B	100	80	40	125	171	63	7	10	205	18	100	120	7	PG11	11 j6	M4x10	23	4	12	
SMF 71 A/B	112	90	45	141	193	71	7	11	244	18	112	135	8	PG13,5	14 j6	M5x15	30	5	16	
SMF 80 A/B	125	100	50	159	219	80	9	13	275	25	125	153	12	PG13,5	19 j6	M6x15	40	6	21	
SMF 90S	140	100	56	176	236	90	10	13	305	32	130	170	13	PG13,5	24 j6	M8x20	50	8	27	
SMF 90L	140	125	56	176	236	90	10	13	330	32	155	170	13	PG13,5	24 j6	M8x20	50	8	27	
SMF 100L	160	140	63	193	260	100	12	17	368	40	170	192	14	PG16	28 j6	M10x25	60	8	31	