

**THREE – PHASE MOTORS DESIGNED**

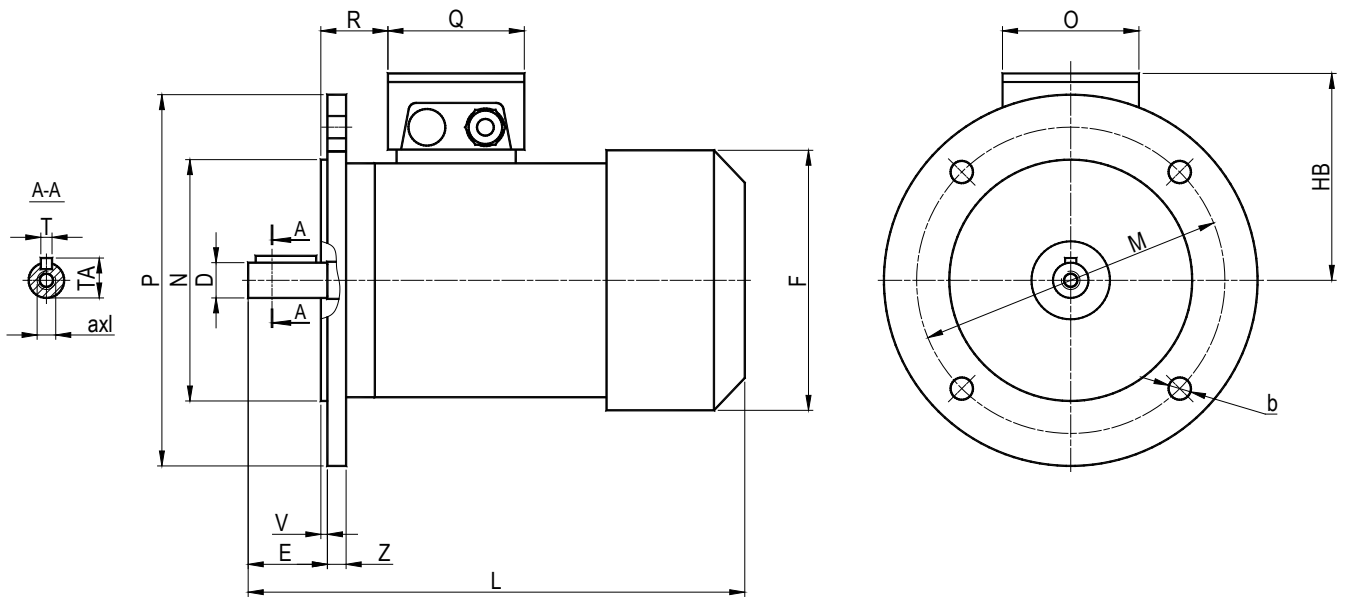
for range of rated voltage: 230-400 V – 50Hz; 400-690 V – 50Hz  
degree of protection: IP54 insulation class F; duty S1; temp. -15°C to +40°C

**PN-EN 60034-1**

**IEC 60034-1**

**CE mark**

**Construction form B5**



type	dimension [mm]												shaft				
	F	HB	L	M	N	O	P	Q	R	V	Z	b	D	axl	E	T [h9]	TA
SKF 56 A/B	110	85	187	100	80	75	120	80	25	3	8,5	7	9 j6	M4x10	20	3	10
SKF 63 A/B	125	91	205	115	95	75	140	80	28	3	8	9	11 j6	M4x10	23	4	12
SKF 71 A/B	141	101	244	130	110	75	160	80	35	3,5	8	9,5	14 j6	M5x15	30	5	16
SKF 80 A/B	159	115	275	165	130	88	200	88	35	3,5	8,5	11,5	19 j6	M6x15	40	6	21
SKF 90S	176	120	305	165	130	88	200	88	41	3,5	10	11,5	24 j6	M8x20	50	8	27
SKF 90L	176	120	330	165	130	88	200	88	41	3,5	10	11,5	24 j6	M8x20	50	8	27
SKF 100L	193	135	368	215	180	88	250	88	52	4	11	14	28 j6	M10x25	60	8	31
SKF 112M	220	151	388	215	180	112	250	112	49	4	12	14	28 j6	M10x25	60	8	31
SKF 132S	260	178	463	265	230	112	300	112	55	4	15	14	38 k6	M12x30	80	10	41
SKF 132M	260	178	500	265	230	112	300	112	55	4	15	14	38 k6	M12x30	80	10	41
SKF 160M	309	223	605	300	250	150	350	150	75	5	14	18	42 k6	M16x35	110	12	45
SKF 160L	309	223	650	300	250	150	350	150	75	5	14	18	42 k6	M16x35	110	12	45