

THREE – PHASE MOTORS DESIGNED

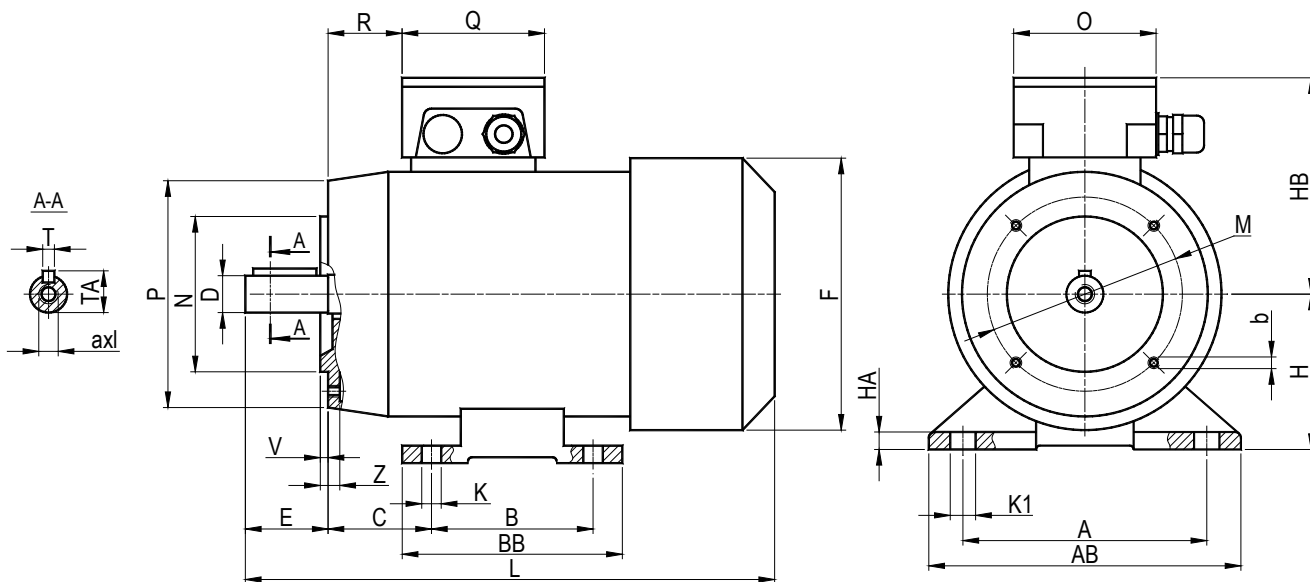
for range of rated voltage: 230-400 V – 50Hz; 400-690 V – 50Hz
degree of protection: IP54 insulation class F; duty S1; temp. -15°C to +40°C

PN-EN 60034-1

IEC 60034-1

CE mark

Construction form B34



type	dimension [mm]																				shaft					
	A	B	C	F	HB	H	K	K1	L	M	N	O	P	Q	R	BB	AB	V	HA	Z	b	D	axl	E	T [h9]	TA
SLKF 56 A/B	90	71	36	110	85	56	6	8	187	65	50	75	80	80	25	90	107	2	7	6	M5	9 j6	M4x10	20	3	10
SLKF 63 A/B	100	80	40	125	91	63	7	10	205	75	60	75	90	80	28	100	120	2	7	6	M5	11 j6	M4x10	23	4	12
SLKF 71 A/B	112	90	45	141	101	71	7	11	244	85	70	75	105	80	35	112	135	2	8	8	M6	14 j6	M5x15	30	5	16
SLKF 80 A/B	125	100	50	159	115	80	9	13	275	100	80	88	120	88	35	125	153	3	12	12	M6	19 j6	M6x15	40	6	21
SLKF 90S	140	100	56	176	120	90	10	13	305	115	95	88	140	88	41	130	170	3	13	10	M8	24 j6	M8x20	50	8	27
SLKF 90L	140	125	56	176	120	90	10	13	330	115	95	88	140	88	41	155	170	3	13	10	M8	24 j6	M8x20	50	8	27
SLKF 100L	160	140	63	193	135	100	12	17	368	130	110	88	160	88	52	170	192	3	14	10	M8	28 j6	M10x25	60	8	31
SLKF 112M	190	140	70	220	151	112	13	17	388	130	110	112	160	112	49	182	220	3	14	13	M8	28 j6	M10x25	60	8	31
SLKF 132S	216	140	89	260	178	132	11	20	463	165	130	112	200	112	55	181	260	3	16	15	M10	38 k6	M12x30	80	10	41
SLKF 132M	216	178	89	260	178	132	11	20	500	165	130	112	200	112	55	219	260	3	16	15	M10	38 k6	M12x30	80	10	41