

THREE – PHASE MOTORS DESIGNED

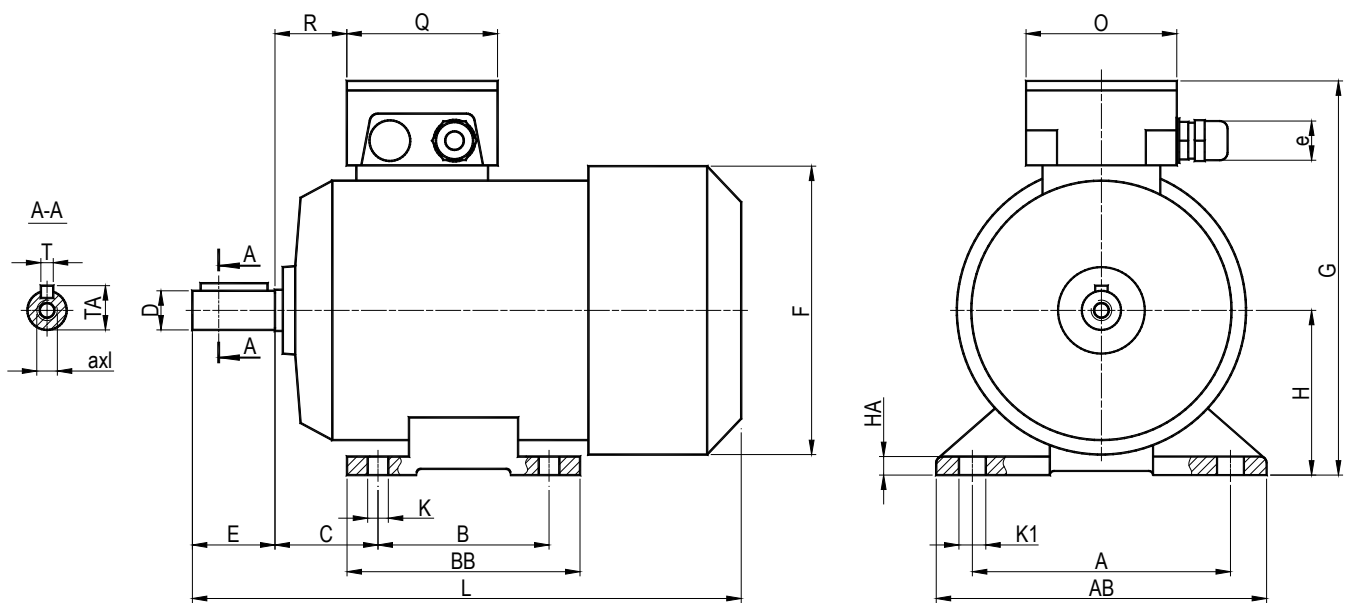
for range of rated voltage: 230-400 V – 50Hz; 400-690 V – 50Hz
degree of protection: IP54 insulation class F; duty S1; temp. -15°C to +40°C

PN-EN 60034-1

IEC 60034-1

CE mark

Construction form B3



type	dimension [mm]																shaft				
	A	B	C	F	G	H	K	K1	L	O	Q	R	BB	AB	HA	e	D	axl	E	T [h9]	TA
SF 56 A/B	90	71	36	110	141	56	6	8	187	75	80	25	90	107	7	PG11	9 j6	M4x10	20	3	10
SF 63 A/B	100	80	40	125	154	63	7	10	205	75	80	28	100	120	7	PG11	11 j6	M4x10	23	4	12
SF 71 A/B	112	90	45	141	172	71	7	11	244	75	80	35	112	135	8	PG13,5	14 j6	M5x15	30	5	16
SF 80 A/B	125	100	50	159	195	80	9	13	275	88	88	35	125	153	12	PG13,5	19 j6	M6x15	40	6	21
SF 90S	140	100	56	176	210	90	10	13	305	88	88	41	130	170	13	PG13,5	24 j6	M8x20	50	8	27
SF 90L	140	125	56	176	210	90	10	13	330	88	88	41	155	170	13	PG13,5	24 j6	M8x20	50	8	27
SF 100L	160	140	63	193	235	100	12	17	368	88	88	52	170	192	14	PG16	28 j6	M10x25	60	8	31
SF 112M	190	140	70	220	263	112	13	17	388	112	112	49	182	220	14	PG16	28 j6	M10x25	60	8	31
SF 132S	216	140	89	260	310	132	11	20	463	112	112	55	181	260	16	PG21	38 k6	M12x30	80	10	41
SF 132M	216	178	89	260	310	132	11	20	500	112	112	55	219	260	16	PG21	38 k6	M12x30	80	10	41
SF 160M	254	210	108	309	383	160	14	23	605	150	150	75	261	319	20	PG21	42 k6	M16x35	110	12	45
SF 160L	254	254	108	309	383	160	14	23	650	150	150	75	305	319	20	PG21	42 k6	M16x35	110	12	45