

**SINGLE – PHASE INDUCTION MOTORS DESIGNED**

rated voltage 230 V – 50 Hz

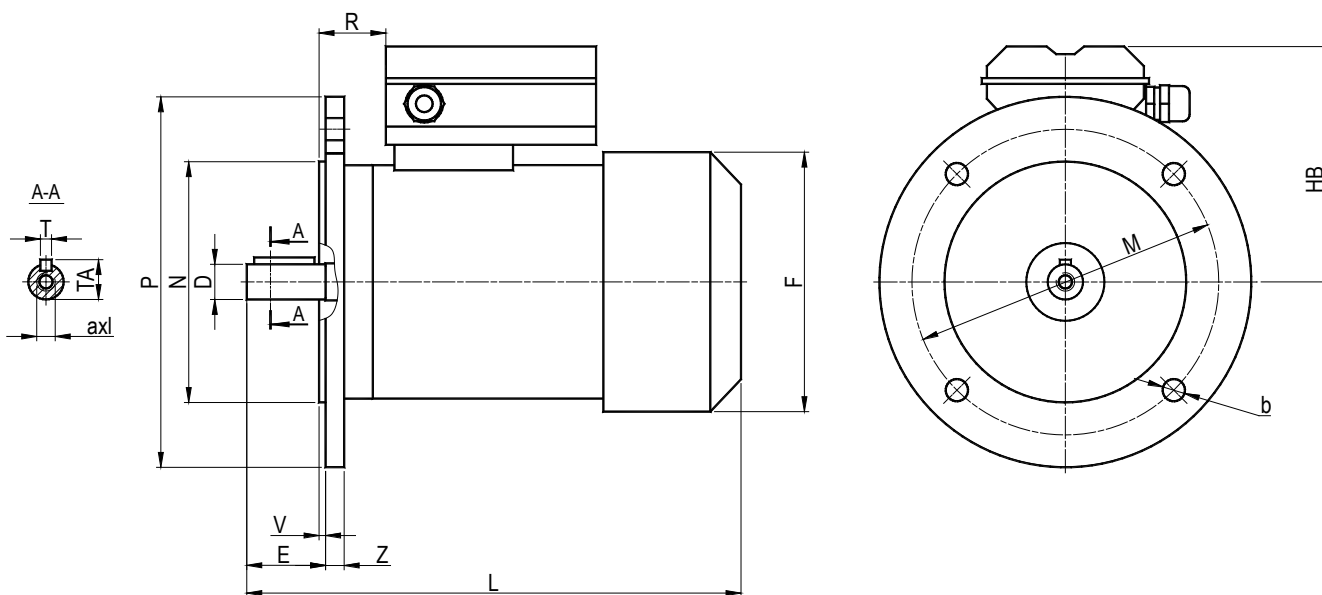
degree of protection: IP54 insulation class F; duty S1; temp. -15°C to +40°C

**PN-EN60034-1**

**IEC 60034-1**

**CE mark**

**Construction form B5**



type	dimension [mm]										shaft				
	F	HB	L	M	N	P	R	V	Z	b	D	a x l	E	T [h9]	TA
SMKF 56 A/B	110	104	187	100	80	120	17	3	8,5	7	9 j6	M4x10	20	3	10
SMKF 63 A/B	125	108	205	115	95	140	18	3	8	9	11 j6	M4x10	23	4	12
SMKF 71 A/B	141	122	244	130	110	160	18	3,5	8	9,5	14 j6	M5x15	30	5	16
SMKF 80 A/B	159	139	275	165	130	200	25	3,5	8,5	11,5	19 j6	M6x15	40	6	21
SMKF 90S	176	146	305	165	130	200	32	3,5	10	11,5	24 j6	M8x20	50	8	27
SMKF 90L	176	146	330	165	130	200	32	3,5	10	11,5	24 j6	M8x20	50	8	27
SMKF 100L	193	160	368	215	180	250	40	4	11	14	28 j6	M10x25	60	8	31