

**THREE – PHASE MOTORS DESIGNED**

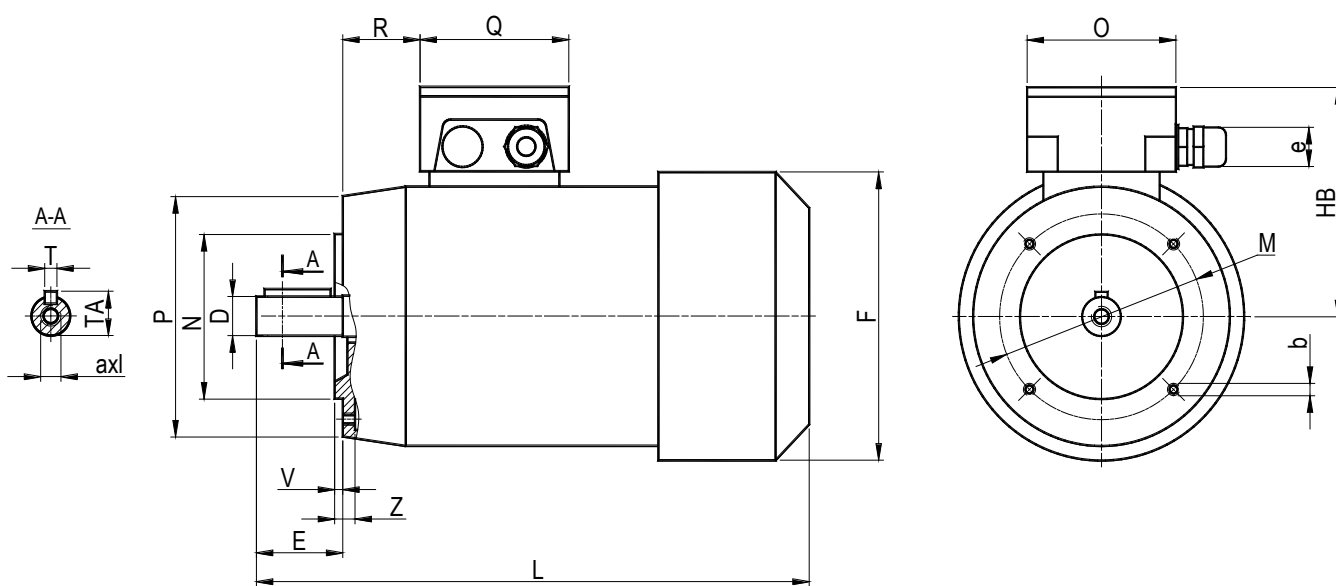
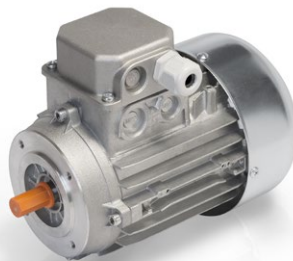
for range of rated voltage: 230-400 V – 50Hz; 400-690 V – 50Hz  
degree of protection: IP54 insulation class F; duty S1; temp. -15°C to +40°C

**PN-EN 60034-1**

**IEC 60034-1**

**CE mark**

**Construction form B14**



type	dimension [mm]														shaft				
	F	HB	L	M	N	O	P	Q	R	V	Z	b	e	D	axl	E	T [h9]	TA	
SKF 56 A/B	110	85	187	65	50	75	80	80	25	2	6	M5	PG11	9 j6	M4x10	20	3	10	
SKF 63 A/B	125	91	205	75	60	75	90	80	28	2	6	M5	PG11	11 j6	M4x10	23	4	12	
SKF 71 A/B	141	101	244	85	70	75	105	80	35	2	8	M6	PG13,5	14 j6	M5x15	30	5	16	
SKF 80 A/B	159	115	275	100	80	88	120	88	35	3	12	M6	PG13,5	19 j6	M6x15	40	6	21	
SKF 90S	176	120	305	115	95	88	140	88	41	3	10	M8	PG13,5	24 j6	M8x20	50	8	27	
SKF 90L	176	120	330	115	95	88	140	88	41	3	10	M8	PG13,5	24 j6	M8x20	50	8	27	
SKF 100L	193	135	368	130	110	88	160	88	52	3	10	M8	PG16	28 j6	M10x25	60	8	31	
SKF 112M	220	151	388	130	110	112	160	112	49	3	13	M8	PG16	28 j6	M10x25	60	8	31	
SKF 132S	260	178	463	165	130	112	200	112	55	3	15	M10	PG21	38 k6	M12x30	80	10	41	
SKF 132M	260	178	500	165	130	112	200	112	55	3	15	M10	PG21	38 k6	M12x30	80	10	41	